



BXST

Voltage Protector

MODEL: BX-V161-C

Introduction

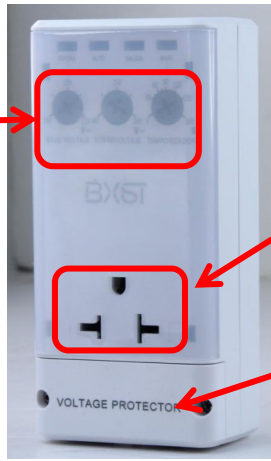
BX-V161-C is one of residential voltage protector, which is mainly used to protect air conditioner and refrigeration equipment in large scale which power is less than 2400W(120V)/4400W(220V).



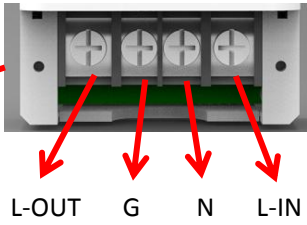
Specification

Working voltage:	120VAC	220VAC
Electric frequency:	50HZ-60HZ	50HZ-60HZ
Under voltage	90-110VAC	170-190VAC
Over voltage	120-140VAC	240-260VAC
Max Working Current	15A	20A
Max Power	2400W	4400W
Delayed Time	5-180S	5-180S
Working Environment	-10°C~+65°C	-10°C~+65°C
Size	122*58*71mm	122*58*71mm
Material Of Cover	PC Flame retardant	PC Flame retardant
Dimension Of Carton		

1.Adjust high voltage
2.Adjust low voltage
3.Adjust delay time

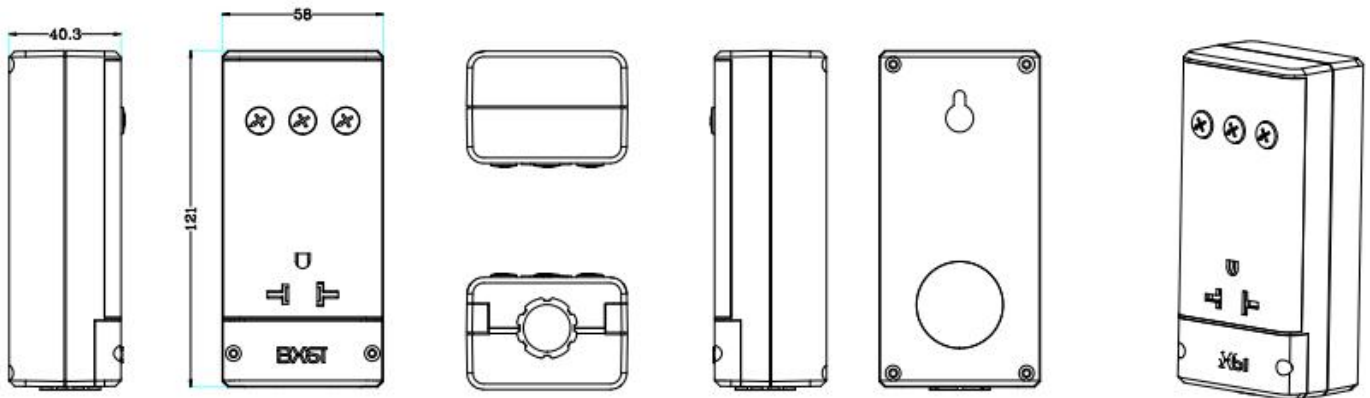


3 plug with grounding socket in US type



Features

1. Over/under voltage protector: When the voltage exceeds the limit, it will automatically cut off the power to prevent the electrical appliances being damaged by the too low or too high voltage.
2. Adjustable threaded bolt: Users can adjust the high/low voltage and delay time to meet their needs.
3. Phosphor copper copper parts: excellent electrical conductivity, corrosion resistance and wear resistance.
4. Flame retardant material: Be able to reach the experimental standards of level test of UL94-5VA..



Warning

- ※The total power of connected electrical equipment shall not exceed the rated power.
- ※Do not use this product in damp or not ventilated environment.
- ※Non-professionals do not open, change, repair the product.
- ※Poor connection of the front terminal or poor connection of the plug may cause a danger.
- ※Prohibition of combustion and keep away from fire.