



BXST

Voltage protector

Model: BX-V090

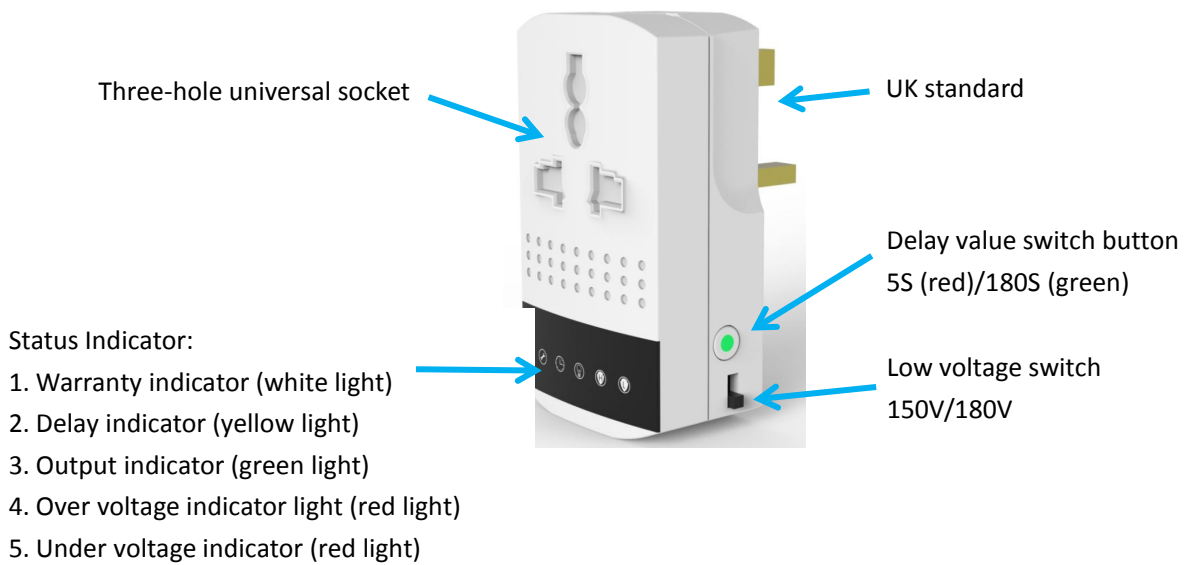
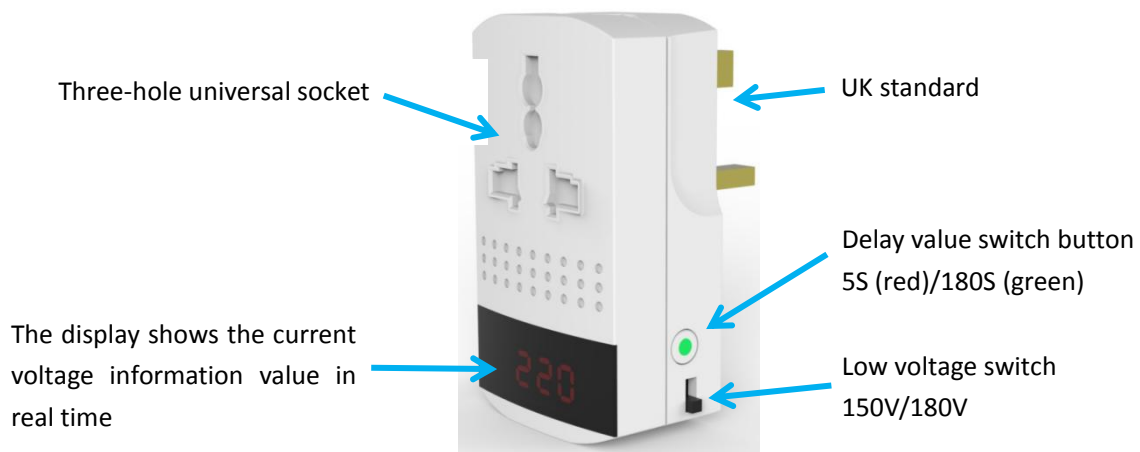
Introduce

BX-V090 series is a family-style UK standard plug voltage protector. Applicable to TVs, computers, refrigerators and other types of household electrical appliances with power less than 2200W.



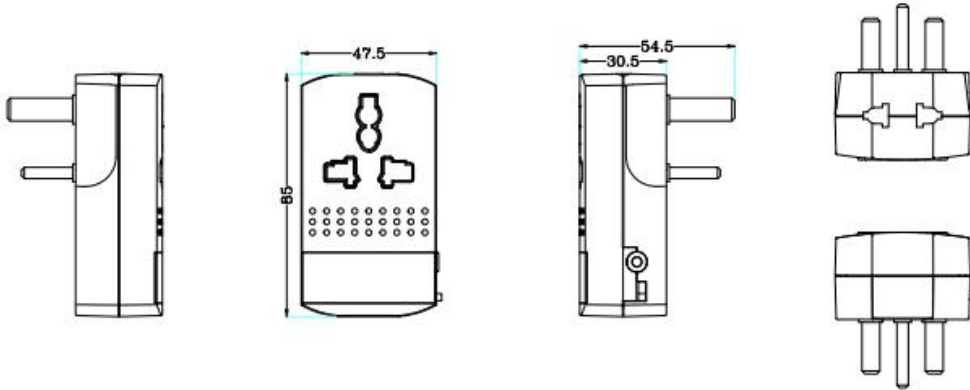
Specification

Working voltage	220VAC
Working Frequency	50HZ-60HZ
Under voltage	150V/180VAC
Over voltage	260VAC
Maximum working current	10A
Maximum working power	2200W
Delay time	5S/180S
Warranty time	180 天
Working environment	-10°C~+55°C
Size	85*47.5*54.5mm
Shell material	ABS



Features

1. Status indication: LED indicator indicates the current status of the product in real time.
2. Over/under voltage protection: When the voltage exceeds the limit, the power supply is automatically cut off to prevent damage to the electrical appliances due to the high or low voltage.
3. Phase loss protection; when the three-phase power supply phase loss is detected, immediately turn off the product switch to avoid damage to the equipment connected to the product,
4. Adjustable over/under voltage value: The user can adjust the over/under voltage protection value according to the actual use environment.
5. Adjustable delay: The user can adjust the delay time according to the actual use environment.
6. Shell flame retardant: meet UL94-5VA level test standard.



Warning

- ✘ The total power of the connected electrical equipment shall not exceed the rated power.
- ✘ This product cannot be used in a humid, non-ventilated environment.
- ✘ Non-professionals are not allowed to open, modify, repair or maintain this product.
- ✘ Poor contact at the front end or poor contact at the insert may cause danger.
- ✘ It is forbidden to burn or keep away from fire.