



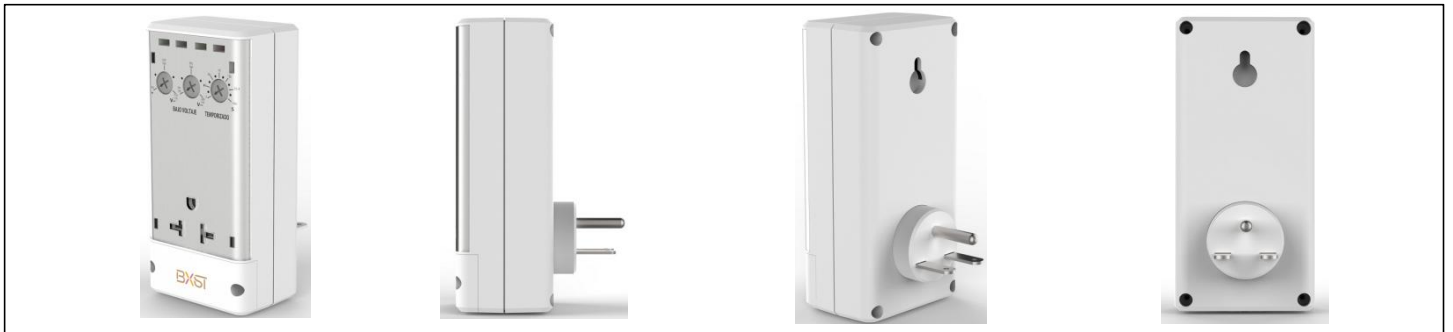
BXST

Voltage Protector

MODEL: BX-V161-P-220V

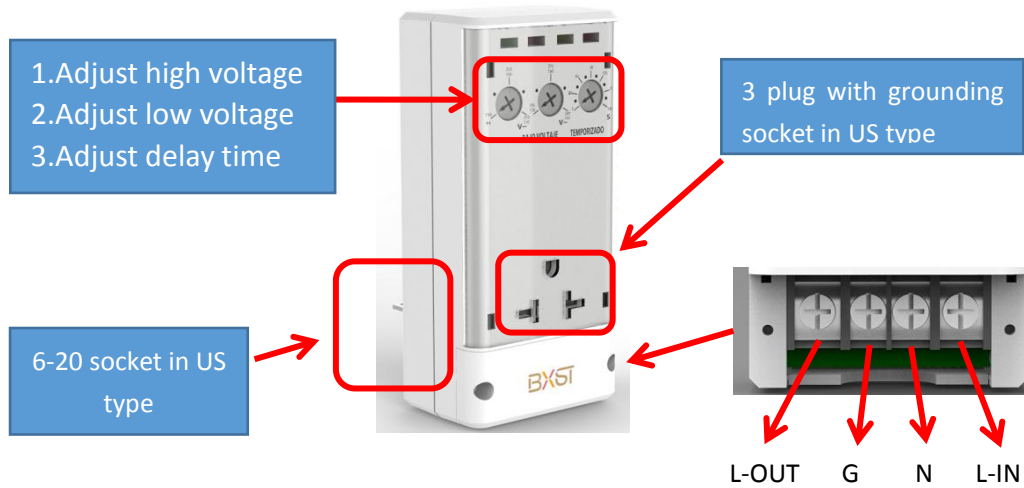
Introduction

BX-V161-P-220V is one of residential voltage protector, which is used for TV, PC, refrigerator and home appliance which power is less than 4400W.



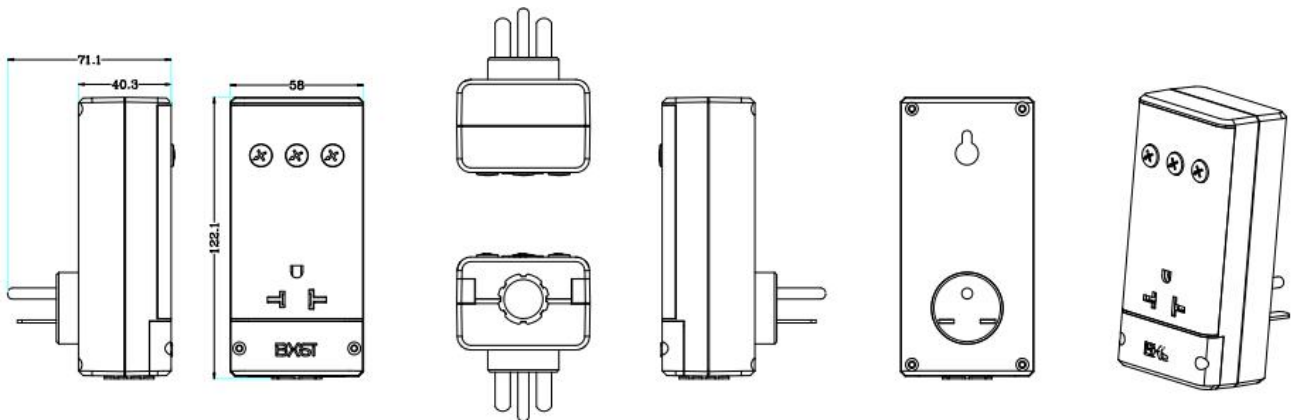
Specification

Working voltage :	220VAC
Electric frequency:	50HZ-60HZ
Under voltage	170-190VAC
Over voltage	240-260VAC
Max Working Current	20A
Max Power	4400W
Delayed Time	5-180S
Working Environment	-10°C~+65°C
Size	122*58*71mm
Material Of Cover	PC Flame retardant
Dimension Of Carton	



Features

1. Over/under voltage protector: When the voltage exceeds the limit, it will automatically cut off the power to prevent the electrical appliances being damaged by the too low or too high voltage.
2. Adjustable threaded bolt: Users can adjust the high/low voltage and delay time to meet their needs.
3. The plug can be rotated: The plug can be rotated by 350 ° .
4. Wiring method: plug and terminal are available for users to choose.
5. Phosphor copper parts: excellent electrical conductivity, corrosion resistance and wear resistance.
6. Flame retardant material: Be able to reach the experimental standards of level test of UL94-5VA..



Warning

- ※The total power of connected electrical equipment shall not exceed the rated power.
- ※Do not use this product in damp or not ventilated environment.
- ※Non-professionals do not open, change, repair the product.
- ※Poor connection of the front terminal or poor connection of the plug may cause a danger.
- ※Prohibition of combustion and keep away from fire.