



# BXST

Voltage protector

**Model:BX-V160**

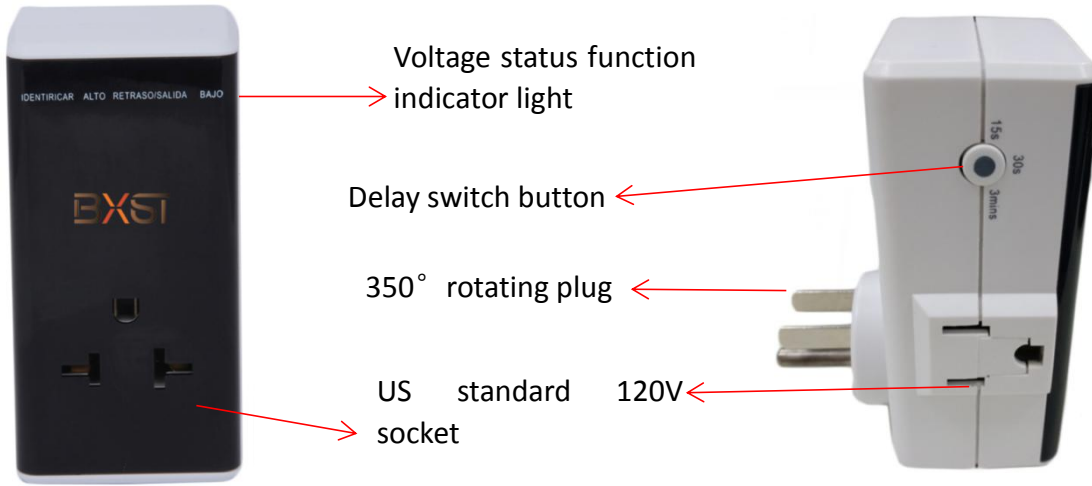
## Introduce

BX-V160It is a family-style voltage protector. Applicable to electrical appliances such as televisions, computers, refrigerators, etc. whose power is less than 1800W.



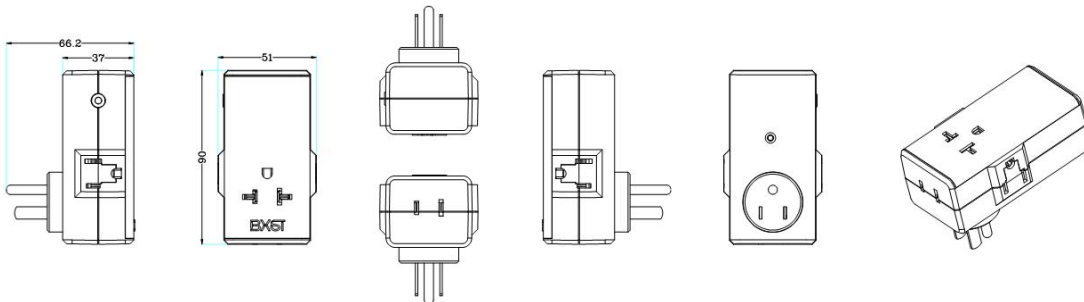
## Specification

Working voltage :	120VAC
Working frequency	40HZ-80HZ
Under voltage	90VAC
Over voltage	140VAC
Max Working Current	15A
Max Power	1800W
Delayed Time	5S/30S/180S
Joule	--
Working Environment	-10°C~+65°C
Weight	108g
Size	51*66*90mm
Shell material	PC



## Features

1. Over/under voltage: When the voltage exceeds the limit, the power supply is automatically cut off to prevent damage to electrical appliances caused by over-voltage or under-voltage.
  2. Adjustable delay time: The user can adjust the delay time according to the actual use environment.
  3. Plug rotation: product plug users can adjust the angle according to actual use.
  4. Multi-seat output sockets: 4 output sockets can be used by users for multiple electrical appliances at the same time.
  5. Phosphor copper copper parts: have excellent electrical conductivity, corrosion resistance and wear resistance.
- Flame-retardant shell: in line with UL94-5VA level testing test standards.



## Warning

- ⌘ The total power of the connected electrical equipment shall not exceed the rated power.
- ⌘ This product cannot be used in a humid, non-ventilated environment.
- ⌘ Non-professionals are not allowed to open, modify, repair or maintain this product.
- ⌘ Poor contact at the front end or poor contact at the insert may cause danger.
- ⌘ It is forbidden to burn or keep away from fire.