



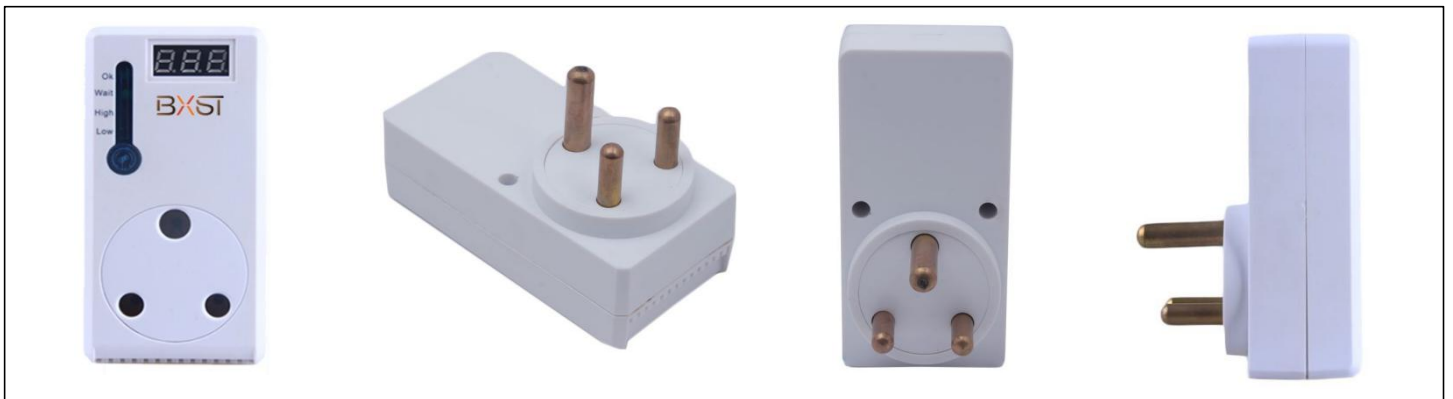
BXST

VOLTAGE PROTECTOR

Model number: BX-V047-D

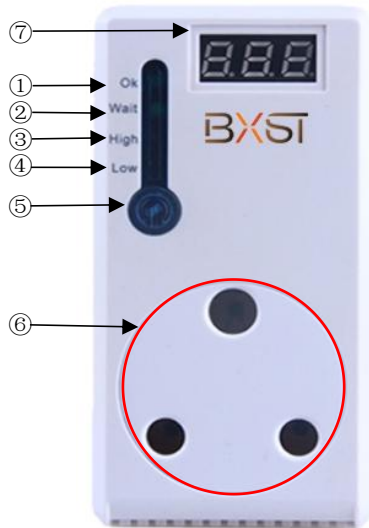
Product introduction

BX-V047-D is a plug type voltage protector for South Africa and India. It is suitable for TV sets, computers, refrigerators and other home appliances with power less than 3520W.



Product specifications

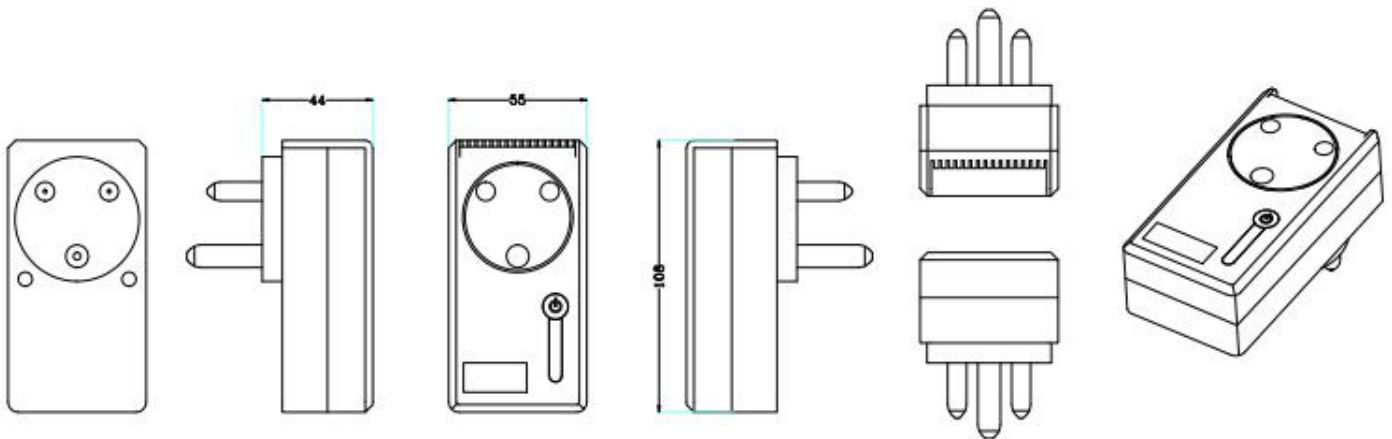
Work voltage	220VAC
Working frequency	50HZ-60HZ
Undervoltage protection	165VAC
Overvoltage protection	260VAC
Max current	15A
Max power	3520W
Delay time	180S
Work environment	-10°C~+55°C
Product size	108*55*44mm
Shell material	PC



- 1、 Output indicator (green)
- 2、 Delay indicator(yellow)
- 3、 Over voltage protection (red)
- 4、 Under voltage protection (red)
- 5、 Quick start button (click button to output directly during delay)
- 6、 Three plug socket in South Africa
- 7、 digital display (display)current grid information and voltage

Product feature

1. Over / under voltage: when the voltage exceeds the limit value, the power supply will be cut off automatically to prevent the damage to the electrical appliances caused by the over and under voltage.
2. Display screen: display the current grid voltage information in real time.
3. Phosphor copper parts: excellent conductivity, corrosion resistance and wear resistance.
- 4.Flame retardant shell: in accordance with ul94-5va level test standard.



Warning

- ※The total power of the connected electrical equipment shall not exceed the rated power.
- ※Do not use this product in humid and non ventilated environment.
- ※Do not open, modify, repair or maintain this product for non professionals.
- ※ poor front-end contact or poor plug contact may cause danger
- ※Do not burn or keep away from the fire source.