



BXST

Voltage protector

Model: BX-V022

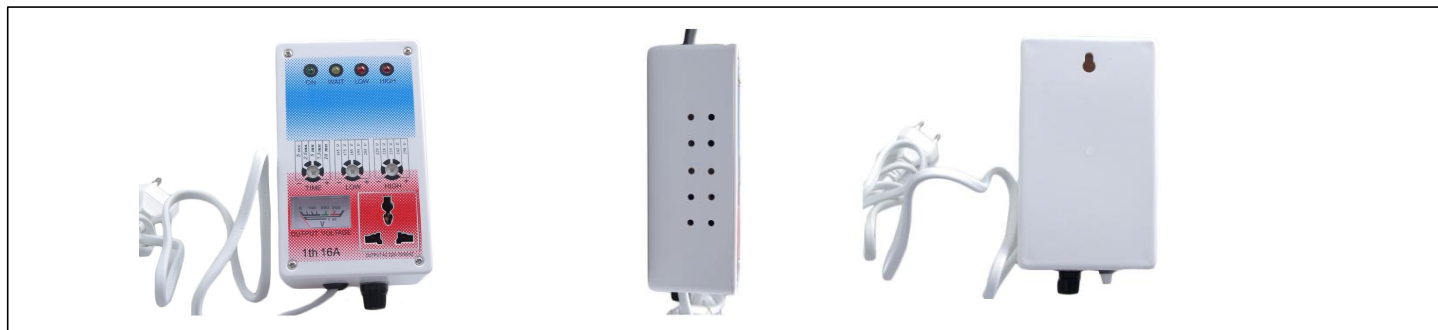
Introduce

Bx-v022 series is a family type voltage protector. Suitable for TV, computer, refrigerator and other types of electrical equipment with power less than 1200W.

V022



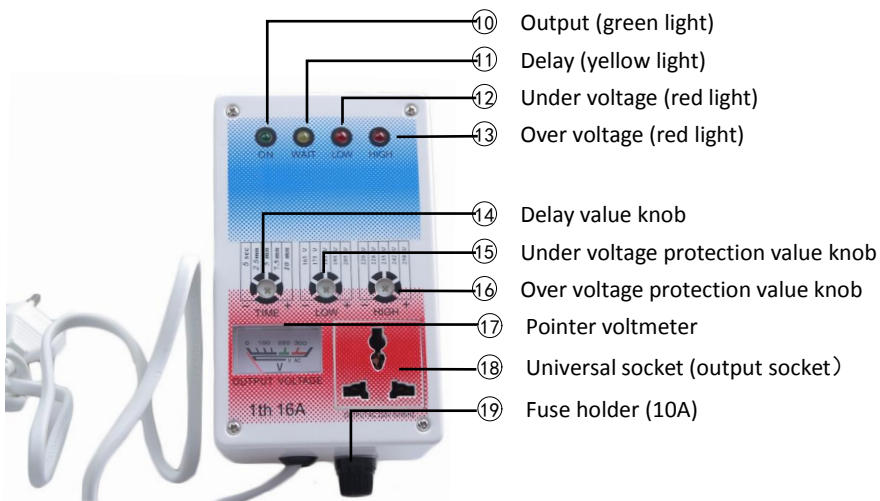
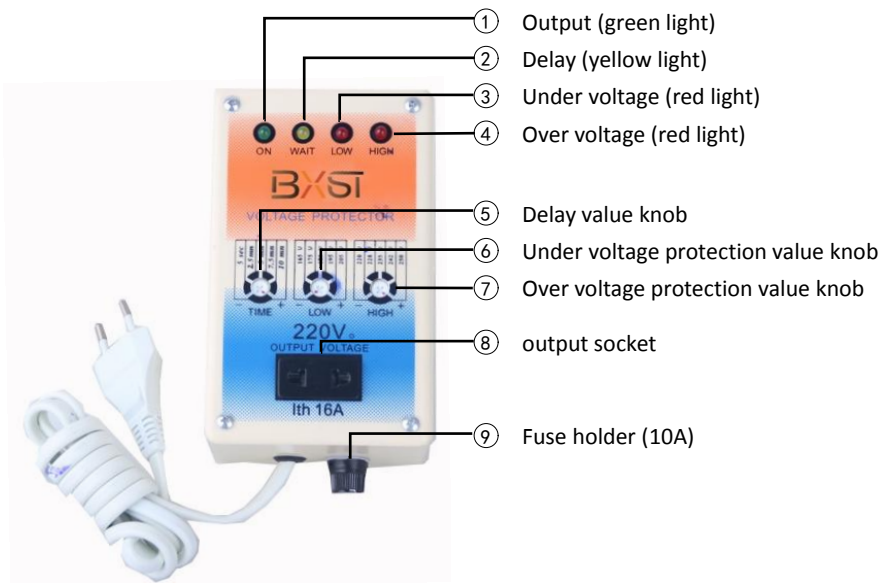
V022-D



Specification

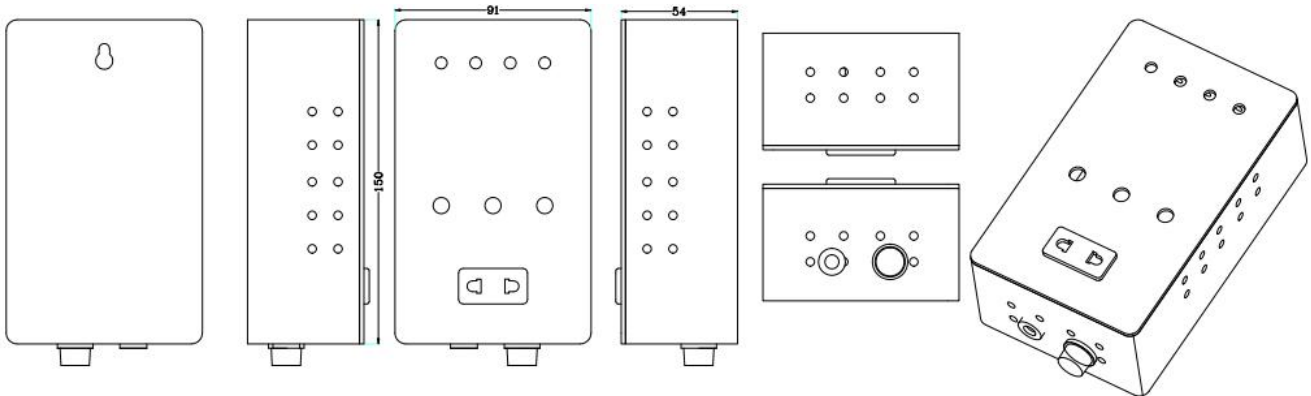
Model	V022	V022-D
Working voltage/Frequency	220VAC/50-60HZ	
Under voltage	165-205VAC (Adjustable)	
Over voltage	220-250VAC (Adjustable)	
Max working power and current	2200W/10A	
Delay time	5S - 10Min	
Working environment	-10°C~+55°C	
Size	150*91*54mm	
Shell material	ABS	

Function



Features

1. Over/under voltage: When the voltage exceeds the limit, the power supply is automatically cut off to prevent damage to electrical appliances caused by over-voltage or under-voltage.
2. Adjustable over/under voltage: the user can adjust the over/under voltage protection value according to the actual use environment.
3. Adjustable delay time: The user can adjust the delay time according to the actual use environment.
4. Overload protection: The 10A fuse protects the safety of the power lines and avoids safety fire accidents caused by the user's excessive electrical load.
5. Digital display: real-time display of product working status
6. Phosphor copper copper parts: have excellent electrical conductivity, corrosion resistance and wear resistance.



Warning

- ※The total power of the connected electrical equipment shall not exceed the rated power.
- ※This product cannot be used in a humid, non-ventilated environment.
- ※Non-professionals are not allowed to open, modify, repair or maintain this product.
- ※ Poor contact at the front end or poor contact at the insert may cause danger.
- ※ It is forbidden to burn or keep away from fire.