

## ■BX-COV020 Change over switch

BXST



### Indicators description:

Mains input

Standby power 1

Standby power 2

Generator

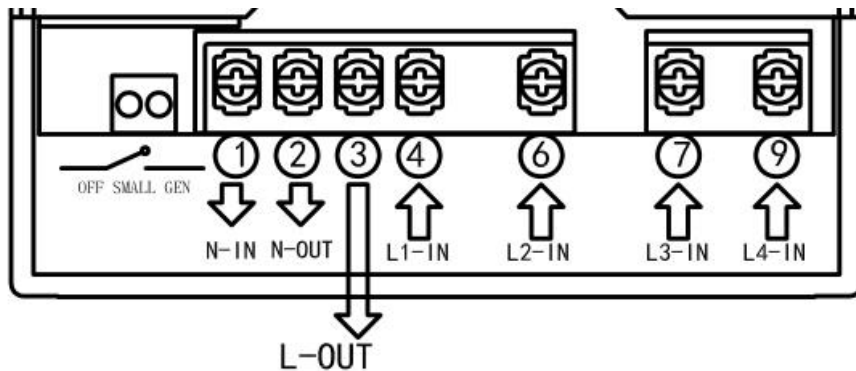
Power output indicator

Warranty

### Setting button:

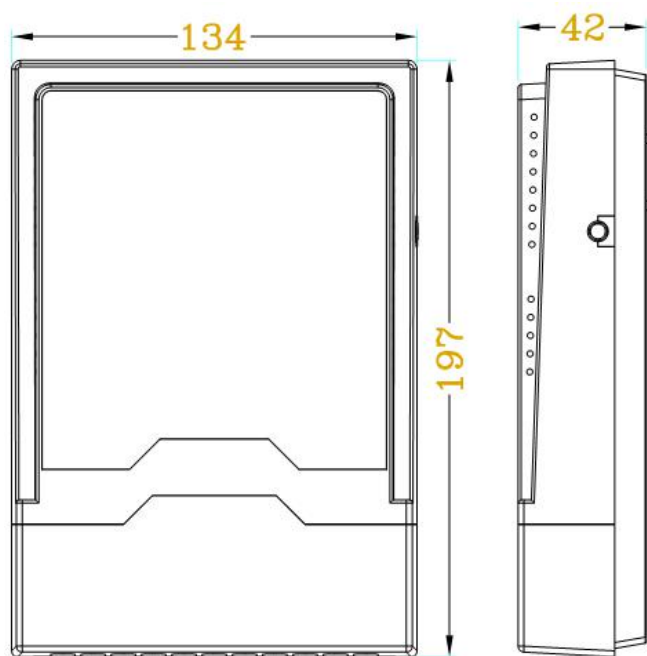
1. One second: buzzer sounds off / on
2. long press 3 seconds: high voltage protection on / off

### Wired diagram



## ■Introduction

COV020 is high-power smart four-way electronic converter. For hospitals, hotels, supermarkets and other public places. In the frequent power-off situation without manual switch can be done automatically switch four power supply. Have rated power less than 13200W over, undervoltage protection.



## ■Specification

- Working voltage: 220VAC/50HZ-60HZ
- Down voltage: 120VAC
- Over voltage: 260VAC
- Working current: 60A(13200WMAX)
- Delay time: 7secs
- Warranty: 1years
- Temperature: -5°C~+55°C
- Weight: 573g
- Size: 134\*197\*42mm
- material: Flame retardant PC
- Package: 52\*22.5\*47CM/white box/30pcs per carton

## ■Features

- Four-phase conversion: L1 / L2 / L3 / L4 four phases supply power simultaneously. The product always gives priority to L1 phase to supply power to the user. (L1> L2> L3> L4)
- Auxiliary switch: When the L4-phase generator supplies electricity to the users, any of the above calls, the product will turn off the generator through the auxiliary switch to reduce the noise of the generator..
- Warranty: The warranty light is powered on for one year, when it is not covered by the warranty, the light will be off.
- Visualization window: The digital display shows the current working status clearly and conspicuously.
- Flame retardant material: Be able to reach the level test experimental standards of UL94-5VA.

## ■Warning

- ※The total power of connected electrical equipment shall not exceed the rated power.
- ※ Do not use this product in damp or not ventilated environment.
- ※ Non-professionals do not open, change, repair the product.
- ※ Poor contact at the front or poor contact of the plug may cause a danger.