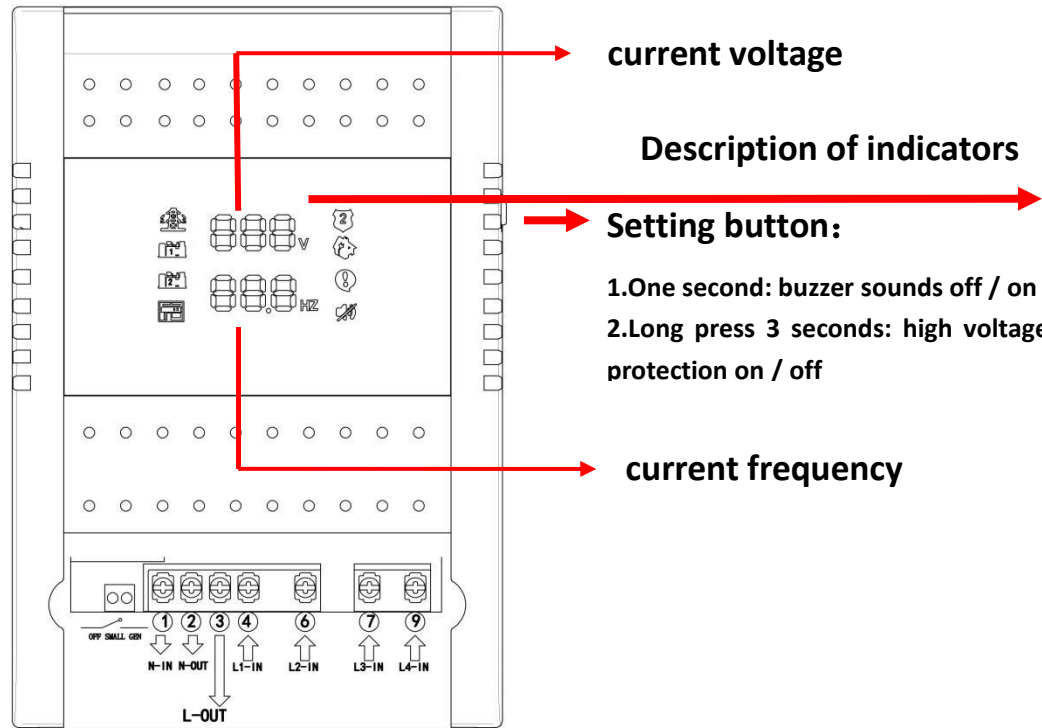
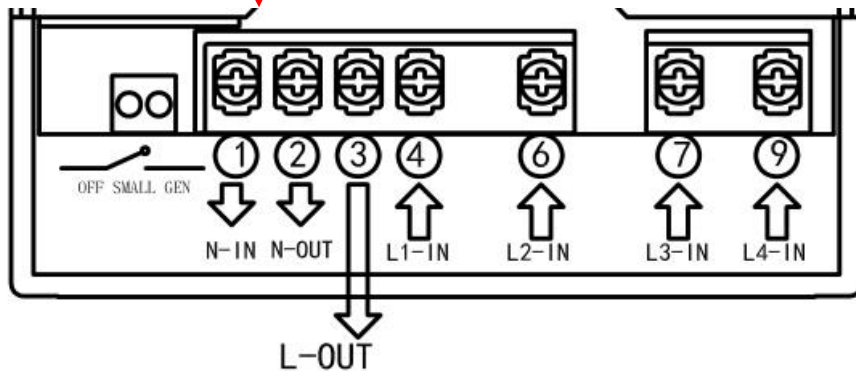


# ■ COV018-D Change Over Switch with LED Display



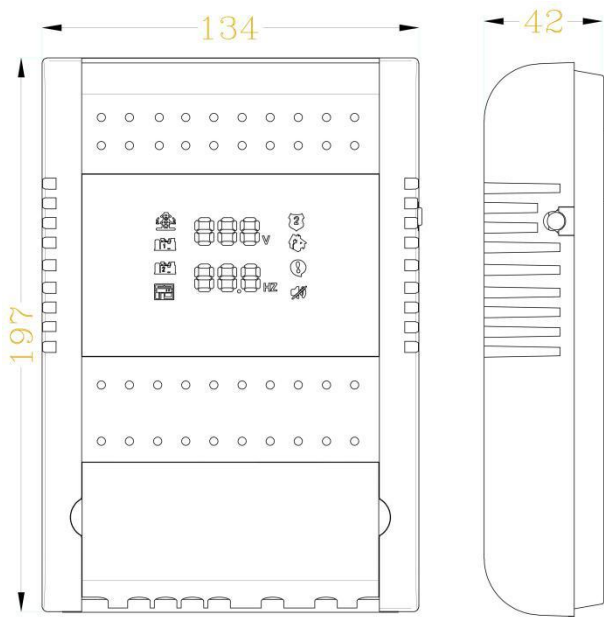
	Mains input
	Standby power 1
	Standby power 2
	Generator instruction
	Warranty
	Power output
	Overvoltage
	Mute

## Wired diagram



## ■ Introduction

COV018-D is a hot sold change over switch with high power and four phases in the Middle East market. It can be used for hospitals, hotels, supermarkets and other public places. Under the condition of the frequent power-off, it can be switched automatically to four power supplies without manual change. It applies for the home appliance which rated power is less than 6600W.



## ■Specification

- Working voltage: 120VAC/50HZ-60HZ
- Down voltage: 120VAC
- Over voltage: 260VAC
- Working current: 30A(6600WMAX)
- Delay time: 7 seconds
- Warranty: 1 year
- Temperature: -5°C~+55°C
- Weight: 573g
- Size: 134\*197\*42mm
- material: Flame retardant PC

## ■Features

- Four-phase conversion: L1 / L2 / L3 / L4 four phases supply power sequentially. BX-COV020-D always gives priority to L1 phase to supply power to the user. (L1> L2> L3> L4)
- Auxiliary switch: When the L4-phase generator supplies electricity to the users, any of the above(L1,L2,L3) calls, the change over switch will turn off the generator through the auxiliary switch to reduce the noise of the generator.
- Warranty: The warranty light is on for almost one year(cumulative time), when it is not covered by the warranty, the light will be off.
- Visualized window: The digital display shows the current working status clearly and conspicuously.
- Flame retardant material: Be able to reach the experimental standards of level test of UL94-5VA.

## ■Warning

- ※The total power of connected electrical equipment shall not exceed the rated power.
- ※ Do not use this product in damp or not ventilated environment.
- ※ Non-professionals do not open, change, repair the product.
- ※ Poor connection of the front terminal or poor connection of the plug may cause a danger.