

BX-V112 Voltage Protector



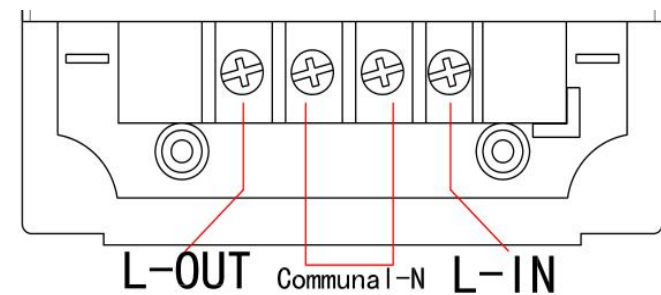
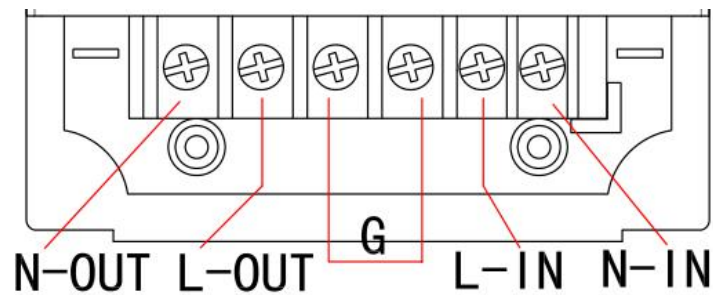
Setting button:

One second: delay time options

Description of indicators(from left to right)

- 1.delay time option indicator (red/green)
- 2.warranty light (white)
- 3.outlet indicator (green)
- 4.waiting time indicator (yellow)
- 5.High protection indicator (red)
- 6.Low protection indicator (red)

■Wired diagram



■Specification

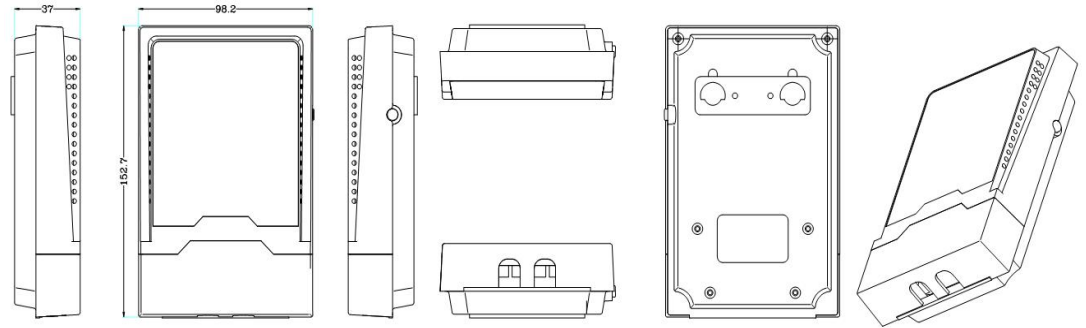
- Working voltage: 220VAC/50HZ-60HZ
- Under voltage: 165VAC
- Over voltage: 260VAC
- Working current: 30A/40A(8800W MAX)
- Delay time: 5seconds/3mins (switched by button)
- Warranty: 1 year
- Temperature: -5°C ~+55°C
- Weight: 207g
- Size: 98.2*37*152.7mm
- Material: Flame retardant PC
- Package: 34*55*28.5CM/white box/60pcs per carton

■Features

- Over/Under Voltage Protection: When the voltage exceeds the limit, it will automatically cut off the power to prevent the electrical appliances being damaged for too low or too high voltage.
- Delay Time Option: The users can choose the different delay time aimed at different appliance.
- Warranty: When the product is being powered for one year(cumulative time), it will show 0 which means it's out of warranty.
- Flame Retardant Material: It reaches the level test experimental standards of UL94-5VA..

■Introduction

BX-V112 is hot-sold high power voltage protector in Middle East America. It's used for refregeritor, water hotter etc. which rated power is less than 8860W.



■Warning

- ※ The total power of connected electrical equipment shall not exceed the rated power.
- ※ Do not use this product in damp or not ventilated environment.
- ※ Non-professionals do not open, change, repair the product.
- ※ Poor connection of the front terminal or poor connection of the plug may cause a danger.