

BX-V112-D Voltage Protector with Display

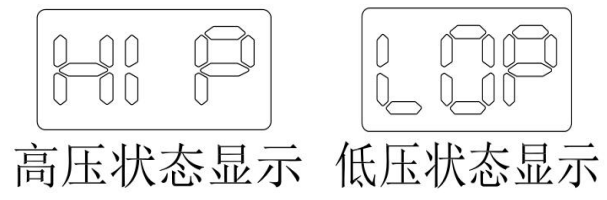


Setting button:

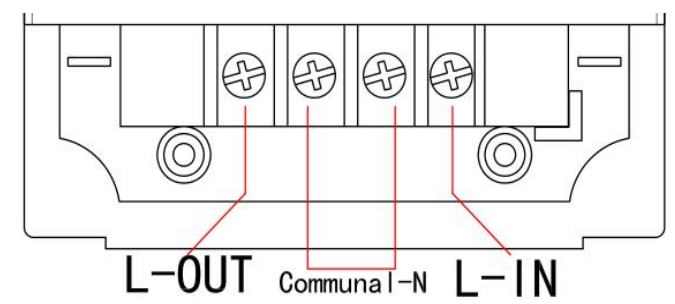
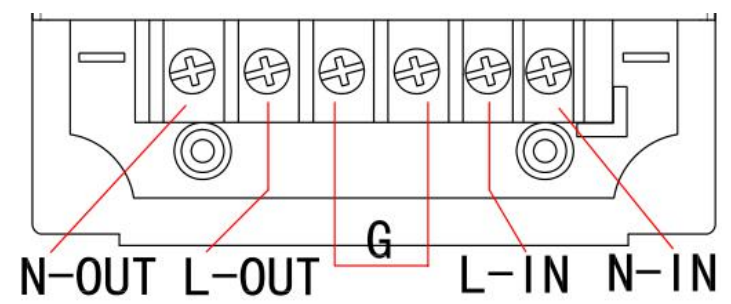
- 1. One second: delay time options
- 2. long press 5 seconds: show the rest warranty

Description of indicators

- 1. current voltage
- 2. current delay time
- 3. low protection: LOP
- 4. high protection: HIP
- 5. warranty: showing rest days



■Wired diagram



■Specification

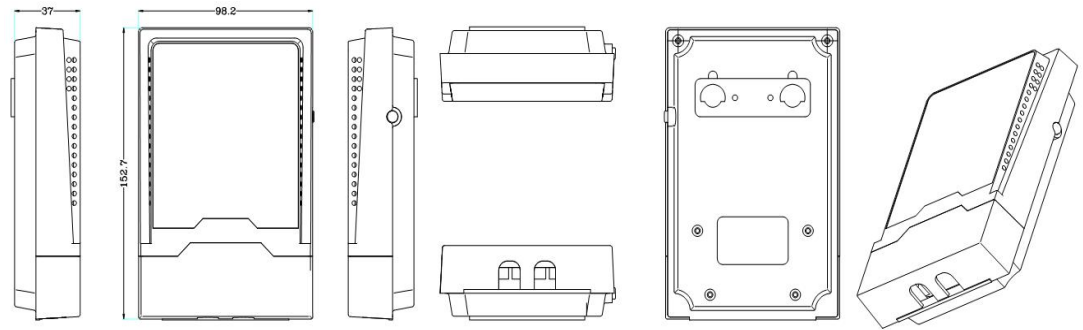
- Working voltage: 220VAC/50HZ-60HZ
- Under voltage: 165VAC
- Over voltage: 260VAC
- Working current: 30A/40A(8800WMAX)
- Delay time: 5seconds/3minutes (switched by button)
- Warranty: 1 year
- Temperature: -5°C ~+55°C
- Weight: 215g
- Size: 98.2*37*152.7mm
- Material: Flame retardant PC
- Package: 34*55*28.5CM/white box/60pcs per carton

■Features

- Over/Under Voltage Protection: When the voltage exceeds the limit, it will automatically cut off the power to prevent the electrical appliances being damaged by the too low or too high voltage.
- Delay Time Option: The users can choose the different delay times aimed at different appliance.
- Warranty: When the product is being powered for one year(cumulative time),it will show 0 which means it's out of warranty.
- Visualized Window: The digital display shows the current working status clearly and conspicuously.
- Flame Retardant Material: Be able to reach the experimental standards of level test of UL94-5VA..

■Introduction

BX-V112-D is a hot-sold voltage protector with high power in the Middle East market.It applies for refrigerator,water heater etc. which rated power is less than 8800W.



■Warning

- ※The total power of connected electrical equipment shall not exceed the rated power.
- ※ Do not use this product in damp or not ventilated environment.
- ※ Non-professionals do not open, change, repair the product.
- ※ Poor connection of the front terminal or poor connection of the plug may cause a danger.